

Series **SSN700**

- Lubrication • Potable Water • Chemical Transfer
- Washdown • Corrosive Environments

To handle 1/4" through 1/2" I.D. hose.

- Narrow frame and compact mounting base.
- Non-sparking ratchet assembly.
- Declutching arbor to prevent damage from reverse winding.
- Standard inlet: 90° stainless steel ball bearing swivel joint, 1/2" female NPT threads.
- Standard outlet: 1/2" female NPT threads.
- Standard pressures to 3000 psi (207 bar).
- Standard fluid temperatures from -32° F to +400 °F (0° C to +204° C). Optional temperature ratings available - consult factory.
- Consult factory for other pressures and temperatures.
- 4-way roller assembly.
- Constant tension is available – consult factory.
- 304 stainless steel construction.
- Optional SST Mosmatic 1/2" balanced pressure swivel joint available, subtract 1.50" from "F" dimension, specify when ordering.



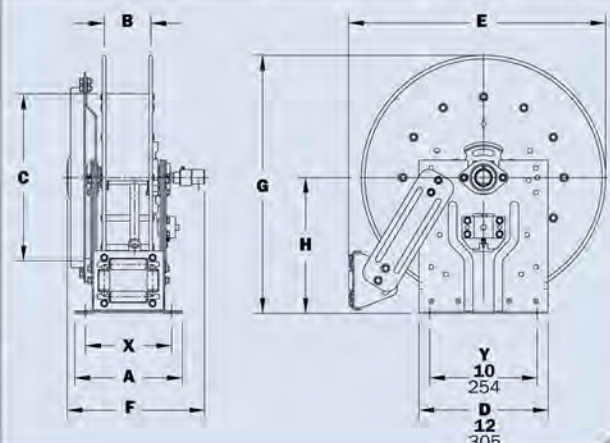
Standard SR configuration shown with optional polished finish

PARTS DRAWING – ISO 171 For Chemical reels, add **-CHM** to Model Number for Viton seals.

Model Number	Hose Capacity of Reel feet m				Approx. Weight lb. kg			Std. Roller Assy.	Reel Dimensions*** in. mm							
	I.D. in. mm	1/4 E	3/8 I0	1/2 I3	NET	UPS/ FedEx SHIP Wt.	Freight SHIP Wt.		A	B	C	E	F	G	H	X
	O.D. in. mm	5/8 16	3/4 19	7/8 22												
SSN716-16-17-10.5J	-	35	35	66	75*	108	N204S	10	4	10.5	19	12.88	17	9.12	8	
	-	11	11	30	34	49		254	102	267	483	327	432	232	203	
SSN716-19-20-10.5J	-	50	50	67	82*	109	N204S	10	4	10.5	20.75	12.88	20	10.62	8	
	-	15	15	30	37	49		254	102	267	527	327	508	270	203	
SSN716-23-24-15.5J	-	65	65	79	92*	114	N204S	10	4	15.5	24	12.88	24	12.62	8	
	-	20	20	36	42	52		254	102	394	610	327	610	321	203	
SSN716-23-24-15.5G	100	75	65	94	101*	129	N204S	10	4	15.5	24	12.88	24	12.62	8	
	30	23	20	43	46	59		254	102	394	610	327	610	321	203	
SSN716-25-26-15.5B	-	75	75	90	-	125	N204S	10	4	15.5	25.5	12.88	26	13.62	8	
	-	23	23	41	-	57		254	102	394	648	22.75	660	346	203	
†SSN718-25-26-15.5G	-	100	100	96	-	131	N206S	12	6	15.5	25.5	14.88	26	13.62	10	
	-	30	30	44	-	59		305	152	394	648	378	660	346	254	
SSN718-25-26-15.5A	-	100	100	106	-	141	N206S	12	6	15.5	25.5	15.5	26	13.62	10	
	-	30	30	48	-	64		305	152	394	648	394	660	346	254	

Notes:

1. Specifications subject to change.
 2. Reel models and capacities shown are for standard drag applications; for vertical lift applications, consult factory.
 3. Other sizes, from standard components, available on request.
 4. Finish: Refer to page 2.
 5. **Be sure to check dimensions and weights prior to ordering.**
- NOTICE:** A flexible connector must be used between the inlet pipe and the inlet swivel joint.
- * Dimensional weight applies when shipped as a parcel package (via FedEx or UPS Ground).
- ***X, Y indicate mounting holes. See page 2.
- †Capacity based on low pressure air hose only. Not for vertical lift applications.



Available Roller Positions



Series SSN800

- Dairy • Caustic Materials • Air / Water
- Chemical Transfer / Food Transfer

To handle 3/4" or 1" I.D. hose.

- Narrow frame and compact mounting base.
- Non-sparking ratchet assembly.
- Decutching arbor to prevent damage from reverse winding.
- Standard inlet: 90° stainless steel ball bearing swivel joint, 1" female NPT threads.
- Standard outlet: 1" female NPT threads.
- Standard pressures to 1000 psi (69 bar).
- Standard fluid temperatures from -40° F to +250 °F (-40° C to +121° C). Optional temperature ratings available - consult factory.
- Consult factory for other pressures and temperatures.
- 4-way roller assembly.
- Constant tension is available – consult factory.
- 304 stainless steel construction.



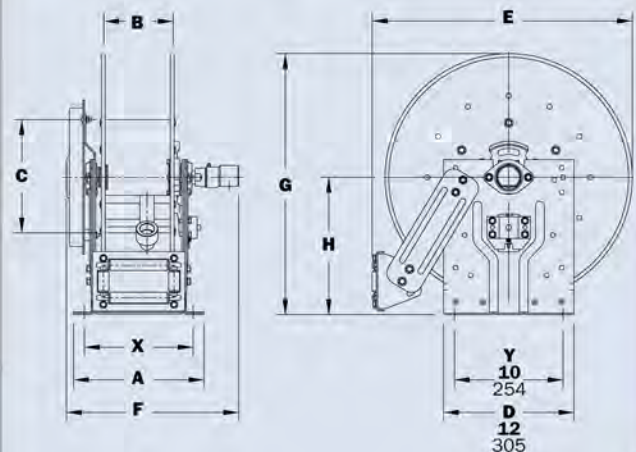
Standard SR configuration shown with optional polished finish

PARTS DRAWING – ISO 173 For Chemical reels, add -CHM to Model Number for Viton seals.

Model Number	Hose Capacity of Reel feet m			Approx. Weight lb. kg			Std. Roller Assy.	Reel Dimensions*** In. mm							
	I.D. in. mm	3/4 19	1 25	NET	UPS/ FedEx SHIP Wt.	Freight SHIP Wt.		A	B	C	E	F	G	H	X
	O.D. in. mm	1-9/32 33	1-1/2 40												
SSN816-19-20-10.5J	25	15	75	83*	110	N204S	10	4	10.5	20.75	14.12	20	10.62	8	
	8	5	34	38	50		254	102	267	527	359	508	270	203	
†SSN818-23-24-10.5J	50	25	87	-	122	N206S	12	6	10.5	24	16.12	24	12.62	10	
	15	8	39	-	55		305	152	267	610	409	610	321	254	
SSN816-25-26-10.5B	60	35	96	-	131	N204S	10	4	10.5	25.5	14.12	26	13.62	8	
	18	11	44	-	59		254	102	267	648	359	660	346	203	
SSN818-25-26-10.5B	70	50	102	-	137	N206S	12	6	10.5	25.5	16.12	26	13.62	10	
	21	15	46	-	62		305	152	267	648	409	660	346	254	
†SSN818-25-26-10.5G	75	-	108	-	143	N206S	12	6	10.5	25.5	16.12	26	13.62	10	
	23	-	49	-	65		305	152	267	648	409	660	346	254	

Notes:

1. Specifications subject to change.
 2. Reel models and capacities shown are for standard drag applications; for vertical lift applications, consult factory.
 3. Other sizes, from standard components, available on request.
 4. Finish: Refer to page 2.
 5. **Be sure to check dimensions and weights prior to ordering.**
- NOTICE:** A flexible connector must be used between the inlet pipe and the inlet swivel joint.
- * Dimensional weight applies when shipped as a parcel package (via FedEx or UPS Ground).
- ***X, Y indicate mounting holes. See page 2.
- †Capacity based on low pressure air hose only. Not for vertical lift applications.



Available Roller Positions



Series **SS800**

- Dairy • Caustic Materials • Air / Water
- Chemical / Food Transfer

To handle 3/4" or 1" I.D. hose.

- Roll-formed channel frame for heavy-duty applications.
- Non-sparking ratchet assembly.
- Declutching arbor to prevent damage from reverse winding.
- Standard inlet: 90° stainless steel ball bearing swivel joint, 1" female NPT threads.
- Standard outlet: 1" female NPT threads.
- Pressures to 1000 psi (69 bar).
- Standard fluid temperatures from -40° F to +250 °F (-40° C to +121° C). Optional temperature ratings available - consult factory.
- Consult factory for other pressures and temperatures.
- 4-way roller assembly.
- Constant tension is available – consult factory.
- 304 stainless steel construction.



Standard SR configuration shown

PARTS DRAWING – ISO 198 For Chemical reels, add -CHM to Model Number for Viton seals.

Model Number	Hose Capacity of Reel feet m			Approx. Weight lb. kg		Std. Roller Assy.	Reel Dimensions*** in. mm									
	I.D. in. mm	3/4 19	1 25	NET	SHIP		A	B	C	D	E	F	G	H	X	Y
	O.D. in. mm	1-9/32 33	1-1/2 40													
SS816-25-26-10.5B	60	35	96	131	R204S	9.25	4	10.5	26.25	24.75	14.75	25.88	13.5	4.5	21.75	
	18	11	44	59		235	102	267	667	629	375	657	343	114	552	
SS818-25-26-10.5B	70	50	102	137	R206S	11.25	6	10.5	26.25	24.75	16.75	25.88	13.5	6.5	21.75	
	21	15	46	62		286	152	267	667	629	425	657	343	165	552	
SS820-25-26-10.5A	85	75	131	166	R308S	13.25	8	10.5	27	24.75	19.5	25.88	13.5	8.5	21.75	
	26	23	59	75		337	203	267	686	629	495	657	343	216	552	
SS820-30-31-10.5A	-	100	137	172	R308S	13.25	8	10.5	30.5	28.75	19.5	31.38	17	8.5	25.25	
	-	30	62	78		337	203	267	775	730	495	797	432	216	641	
SS820-30-31-15.5A	100	-	145	180	R308S	13.25	8	15.5	30.5	28.75	19.5	31.38	17	8.5	25.25	
	30	-	66	82		337	203	394	775	730	495	797	432	216	641	

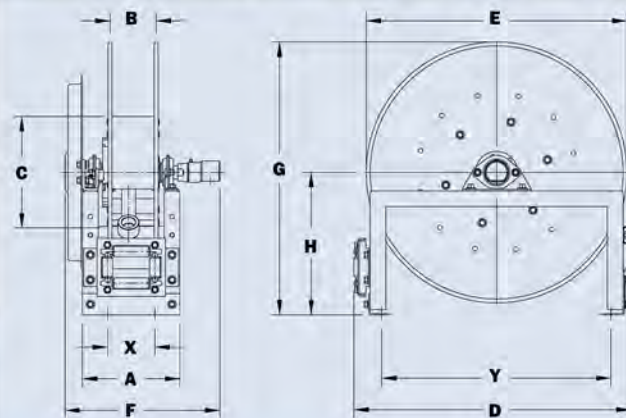
Notes:

1. Specifications subject to change.
2. Reel models and capacities shown are for standard drag applications; for vertical lift applications, consult factory.
3. Other sizes, from standard components, available on request.
4. Finish; Refer to page 2.
5. **Be sure to check dimensions and weights prior to ordering.**

NOTICE: A flexible connector must be used between the inlet pipe and the inlet swivel joint.

***X, Y indicate mounting holes. See page 2.

Available Roller Positions



Series **SS1000**

- Pressure Washing • Spray Operations • Steam Cleaning
- Washdown • Air • Mobile and Permanent Installations

To handle single 1/4" or 3/8" I.D. hose.

- Lightweight, compact
- Direct crank rewind permanently attached.
- Adjustable cam-lock brake standard.
- Optional pin lock available.
- Standard inlet: 90° stainless steel ball bearing swivel joint, 1/2" female NPT threads.
- Standard outlet: 3/8" female NPT threads.
- Pressures to 3000 psi (207 bar).
- Standard fluid temperatures from -32° F to +400 °F (0° C to +204° C). Optional temperature ratings available - consult factory.
- Consult factory for other pressures and temperatures.
- 304 stainless steel construction.



Standard configuration shown with mill finish

PARTS DRAWING – ISO 174 For Chemical reels, add -CHM to Model Number for Viton seals.

Model Number	Hose Capacity of Reel feet m			Approx. Weight Crank Rewind lb. kg			Reel Dimensions*** in. mm			
	I.D. in. mm	1/4 5	3/8 10	NET	UPS/ FedEx SHIP WT.	Flight SHIP WL.	A	B	F	X
	O.D. in. mm	5/8 16	3/4 19							
SS1014-14-16	100	75	23	42*	58	11.5	6	19.25	10	
	31	23	10	19	26	292	152	489	254	
SS1016-14-16	150	100	24	42*	59	13.5	8	21.25	12	
	46	31	11	19	27	343	203	540	305	
SS1020-14-16	250	175	25	42*	60	17.5	12	25.25	16	
	76	53	11	19	27	445	305	641	406	

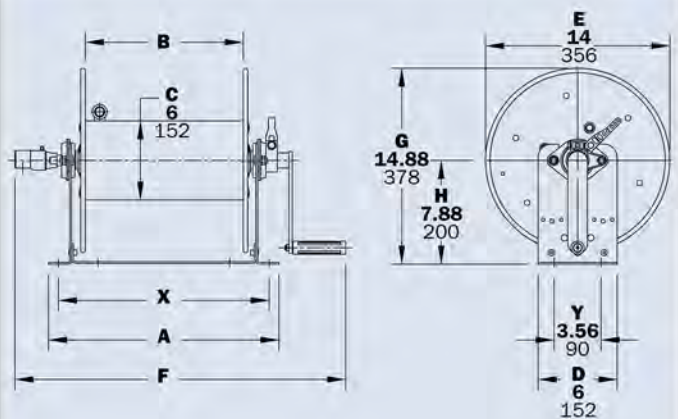
Notes:

1. Specifications subject to change.
2. Other sizes, from standard components, available on request.
3. Manual rewind available in RT or LB configurations only.
4. Finish: Refer to page 2.
5. **Be sure to check dimensions and weights prior to ordering.**

NOTICE: A flexible connector must be used between the inlet pipe and the inlet swivel joint.

* Dimensional weight applies when shipped as a parcel package (via FedEx or UPS Ground).

***X, Y indicate mounting holes. See page 2.



Series **SS1500**

• Pest Control • Pressure Washing • Steam Cleaning

To handle single 3/8" through 5/8" I.D. hose.

- Lightweight, compact reels designed for long lengths of hose.
- Manual rewind includes: cam-lock drag brake, spring actuated pin lock and direct crank rewind.
- Standard inlet: 90° stainless steel ball bearing swivel joint, 1/2" female NPT threads.
- Standard outlet: 1/2" female NPT threads.
- Rollers and roller mounting brackets are accessory items. Specify roller position.
- Pressures to 3000 psi (207 bar).
- Standard fluid temperatures from -32° F to +400 °F (0° C to +204° C). Optional temperature ratings available - consult factory.
- Consult factory for other pressures and temperatures.
- Consult factory for power version.
- 304 stainless steel construction.



Standard configuration shown with optional polished finish

PARTS DRAWING – ISO 175 For Chemical reels, add -CHM to Model Number for Viton seals.

Model Number	Hose Capacity of Reel feet m				Approx. Weight Crank Rewind lb. kg			Reel Dimensions*** In. mm			
	I.D. In. mm	3/8 10	1/2 15	5/8 18	NET	UPS/ FedEx SHIP WT.	Freight SHIP- WT.	A	B	F	X
	O.D. In. mm	3/4 19	7/8 22	1 25							
SS1514-17-18		125	75	50	27	65*	62	11	6	19.62	9.5
		38	23	15	12	30	28	279	152	498	241
SS1520-17-18		275	175	125	29	80*	64	17	12	25.62	15.5
		84	53	38	13	36	29	432	305	651	394
SS1526-17-18		400	300	200	31	98*	66	23	18	31.62	21.5
		122	91	61	14	45	30	584	457	803	546
SS1530-17-18		500	375	275	33	110*	68	27	22	35.62	25.5
		152	114	84	15	50	31	686	559	905	648
SS1536-17-18		-	475	350	35	129*	70	33	28	41.62	31.5
		-	145	107	16	59	32	838	711	1057	800

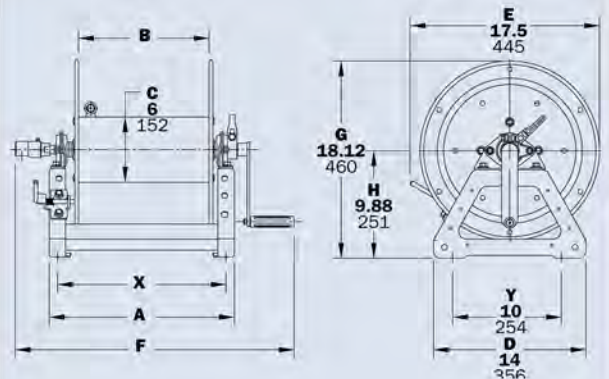
Notes:

1. Specifications subject to change.
2. Upon request, reels can be supplied with drum lengths other than shown.
3. Dimension "F" is the overall length of standard model reels.
4. Manual rewind available in RT or LB configurations only.
5. Finish: Refer to page 2.
6. **Be sure to check dimensions and weights prior to ordering.**

NOTICE: A flexible connector must be used between the inlet pipe and the inlet swivel joint.

* Dimensional weight applies when shipped as a parcel package (via FedEx or UPS Ground).

***X, Y indicate mounting holes. See page 2.



Series 1500

- Lawn Care • Pest Control • Pressure Washing
- Agriculture • Steam Cleaning

To handle single 3/8" through 5/8" I.D. hose.

- Lightweight, compact reels designed for long lengths of hose in manual and power rewind.
- Manual rewind reels include: cam-lock drag brake, spring actuated pin lock and direct crank rewind.
- Power rewind reels include: chain and sprocket drive powered by electric, hydraulic or air motor.
- Standard inlet: 90° ball bearing swivel joint, 1/2" female NPT threads.
- Standard outlet: 1/2" female NPT threads.
- Standard pressures to 3000 psi (207 bar), available up to 10,000 psi (690 bar) – must specify.
- Standard fluid temperatures from -32° F to +400 °F (0° C to +204° C). Optional temperature ratings available - consult factory.
- Rollers and roller mounting brackets are accessory items. Specify roller position.
- **Heavy-Duty Upgrade Options:** 3/16" thick discs, 8" diameter steel 14 gage drum, and optional pressures of 5000 or 10,000 psi, must specify when ordering.



◀ Standard configuration shown with Electric Rewind (E) option

Standard configuration shown ▶ with Crank Rewind



Optional External Mounting Brackets

Part No. 9906.0027.
Add 2-1/2" to the X dimensions shown in the chart.

PARTS DRAWING – ISO 90 (POWER); ISO 179 (MANUAL)

For Chemical reels with Viton seals and SS fluid path, add -CHM to Model #.

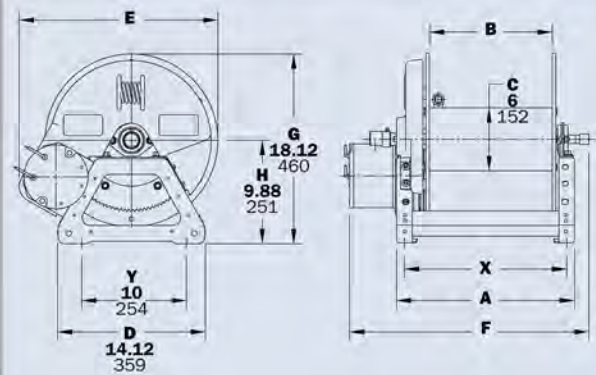
Model Number <small>For power rewind see Note 5</small>	Hose Capacity of Reel feet m				Approx. Weight Crank Rewind lb. kg <small>see Note 3</small>			Reel Dimensions*** In. mm						
	I.D. In. mm	3/8 10	1/2 13	5/8 16	NET	M/PS/ FedEx SHIP WL	Freight SHIP WL	A	B	E CRANK	E POWER	F CRANK	F POWER	X
	O.D. in. mm	3/4 19	7/8 22	1 25										
1514-17-18		125	75	50	27	65*	62	11	6	17.5	19	19.25	17	9.5
		38	23	15	12	30	28	279	152	445	483	489	432	241
1520-17-18		275	175	125	29	80*	64	17	12	17.5	19	25.25	23	15.5
		84	53	38	13	36	29	432	305	445	483	641	584	394
1526-17-18		400	300	200	31	98*	66	23	18	17.5	19	31.25	29	21.5
		122	91	61	14	45	30	584	457	445	483	794	737	546
1530-17-18		500	375	275	33	110*	68	27	22	17.5	19	35.25	33	25.5
		152	114	84	15	50	31	686	559	445	483	895	838	648
1536-17-18		-	475	350	35	129*	70	33	28	17.5	19	41.25	39	31.5
		-	145	107	16	59	32	838	711	445	483	1048	991	800

Notes:

- Specifications subject to change.
- Upon request, reels can be supplied with drum lengths other than shown.
- Weights shown in chart are for crank rewind models. ADD these amounts for power rewind models (does not apply to FedEx or UPS):

	Net lbs/kg	Ship lbs/kg
Electric	18/8.2	18/8.2
Hydraulic	15/6.8	15/6.8
Air	15/6.8	15/6.8
- Dimension "F" is the overall length of standard model reels.
- When ordering power rewind models, prefix model number with:
 - A** = Air Rewind – Supplied with control valve and 18" air hose.

- E** = Electric Rewind – 12v and 24v DC rewind reels are supplied with switch and solenoid; 115v AC rewind reels are not supplied with switch but can be ordered separately.
 - HD** = Hydraulic Rewind – Not supplied with control valve.
 - 6. Manual rewind available in RT or LB configurations only.
 - 7. **Finish:** Refer to page 3.
 - 8. **Be sure to check dimensions and weights prior to ordering.**
 - 9. Some roller options may prohibit the use of our molded chain guard.
- NOTICE:** A flexible connector must be used between the inlet pipe and the inlet swivel joint.
* Dimensional weight applies when shipped as a parcel package (via FedEx or UPS Ground).
*** X, Y indicate mounting holes. See page 5.



Power rewind shown

Series SS1800

- Pest Control • Pressure Washing
- Steam Cleaning • Washdown

To handle single 5/8" or 3/4" I.D. hose.

- Lightweight, compact reels designed for long lengths of hose.
- Manual rewind includes: cam-lock drag brake, spring actuated pin lock and direct crank rewind.
- Standard inlet: 90° stainless steel ball bearing swivel joint, 1" female NPT threads.
- Standard outlet: 3/4" female NPT threads.
- Rollers and roller mounting brackets are accessory items. Specify roller position.
- Pressures to 1000 psi (69 bar).
- Standard fluid temperatures from -40° F to +250 °F (-40° C to +121° C). Optional temperature ratings available - consult factory.
- Consult factory for other pressures and temperatures.
- 304 stainless steel construction.



Standard configuration shown

PARTS DRAWING – ISO 176 For Chemical reels, add -CHM to Model Number for Viton seals.

Model Number	Hose Capacity of Reel feet m			Approx. Weight Crank Rewind lb. kg			Reel Dimensions*** in. mm			
	I.D. in. mm	5/8 1R	3/4 1J	NET	UPS/ FedEx SHIP WT.	Freight SHIP WT.	A	B	F	X
	O.D. in. mm	1 25	1-9/32 40							
SS1816-17-18		75	50	28	80*	63	13	8	23.5	11.5
		23	15	13	36	29	330	203	597	292
SS1822-17-18		150	100	30	98*	65	19	14	29.5	17.5
		46	30	14	45	29	483	356	749	445
SS1826-17-18		200	125	32	98*	67	23	18	33.5	21.5
		61	38	15	45	30	584	457	851	546
SS1830-17-18		250	150	33	110*	68	27	22	37.5	25.5
		76	46	15	50	31	686	559	953	648
SS1836-17-18		300	200	36	129*	71	33	28	43.5	31.5
		91	61	16	59	32	838	711	1105	800

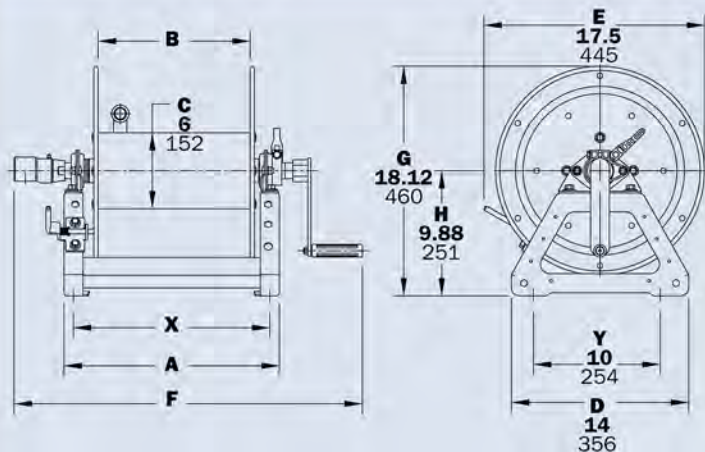
Notes:

1. Specifications subject to change.
2. Upon request, reels can be supplied with drum lengths other than shown.
3. Dimension "F" is the overall length of standard model reels.
4. Manual rewind available in RT or LB configurations only.
5. Finish: Refer to page 2.
6. **Be sure to check dimensions and weights prior to ordering.**

NOTICE: A flexible connector must be used between the inlet pipe and the inlet swivel joint.

* Dimensional weight applies when shipped as a parcel package (via FedEx or UPS Ground).

***X, Y indicate mounting holes. See page 2.



Series 1800

• Air Compressors • Washdown

To handle single 5/8" or 3/4" I.D. hose.

- Lightweight, compact reels designed for long lengths of hose in manual and power rewind.
- Manual rewind reels include: cam-lock drag brake, spring actuated pin lock and direct crank rewind.
- Power rewind reels include: chain and sprocket drive powered by electric, hydraulic or air motor.
- Standard inlet: 90° ball bearing swivel joint, 1" female NPT threads.
- Standard outlet: 3/4" female NPT threads.
- Standard pressures to 2000 psi (138 bar), available up to 4000 psi (276 bar) – must specify.
- Standard fluid temperatures from -15° F to +250 °F (-26° C to +121° C). Optional temperature ratings available - consult factory.
- Rollers and roller mounting brackets are accessory items. Specify roller position.



◀ Standard configuration shown with Electric Rewind (E) option



▶ Standard configuration shown with Crank Rewind

For Chemical reels with Viton seals and SS fluid path, add -CHM to Model #.

PARTS DRAWING – ISO 136 (POWER); ISO 180 (MANUAL)



Optional External Mounting Brackets

Part No. 9906,0027.

Add 2-1/2" to the X dimensions shown in the chart.

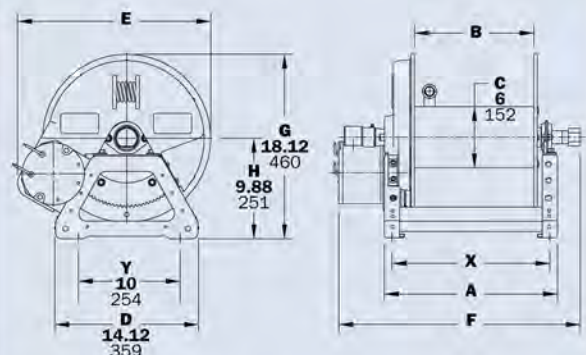
Model Number <small>For power rewind see Note 5</small>	Hose Capacity of Reel feet m			Approx. Weight Crank Rewind lb. kg <small>see Note 3</small>			Reel Dimensions*** In. mm						
	I.D. In. mm	5/8 16	3/4 19	NET	UPS/ FedEx SHIP WL	Freight SHIP WT.	A	B	E CRANK	E POWER	F CRANK	F POWER	X
	O.D. In. mm	1 25	1-9/32 40										
1816-17-18		75 23	50 15	28 13	80* 36	63 29	13 330	8 203	17.5 445	19 483	23.5 597	19.75 502	11.5 292
1822-17-18		150 46	100 30	30 14	98* 45	65 29	19 483	14 356	17.5 445	19 483	29.5 749	25.75 654	17.5 445
1826-17-18		200 61	125 38	32 15	98* 45	67 30	23 584	18 457	17.5 445	19 483	33.5 851	29.75 756	21.5 546
1830-17-18		250 76	150 46	33 15	110* 50	68 31	27 686	22 559	17.5 445	19 483	37.5 953	33.75 857	25.5 648
1836-17-18		300 91	200 61	36 16	129* 59	71 32	33 838	28 711	17.5 445	19 483	43.5 1105	39.75 1010	31.5 800

Notes:

1. Specifications subject to change.
2. Upon request, reels can be supplied with drum lengths other than shown.
3. Weights shown in chart are for crank rewind models. ADD these amounts for power rewind models (does not apply to FedEx or UPS):

	Net lbs/kg	Ship lbs/kg
Electric	18/8.2	18/8.2
Hydraulic	15/6.8	15/6.8
Air	15/6.8	15/6.8
4. Dimension "F" is the overall length of standard model reels.
5. When ordering power rewind models, prefix model number with:
 - A** = Air Rewind – Supplied with control valve and 18" air hose.

- E** = Electric Rewind – 12v and 24v DC rewind reels are supplied with switch and solenoid; 115v AC rewind reels are not supplied with switch but can be ordered separately.
 - HD** = Hydraulic Rewind – Not supplied with control valve.
 - 6. Manual rewind available in RT or LB configurations only.
 - 7. **Finish:** Refer to page 3.
 - 8. **Be sure to check dimensions and weights prior to ordering.**
 - 9. Some roller options may prohibit the use of our molded chain guard.
- NOTICE:** A flexible connector must be used between the inlet pipe and the inlet swivel joint.
- * Dimensional weight applies when shipped as a parcel package (via FedEx or UPS Ground).
- *** X, Y indicate mounting holes. See page 5.



Power rewind shown

Series **SS3000**

- Marine/Corrosive Environments • Washdown
- Fire Protection • Chemical / Food Transfer

To handle 3/4" or 1" I.D. hose.

- Economical manual rewind reels for long lengths of hose.
- Choose disc rewind or removable direct crank rewind.
- Supplied with spring-actuated pin lock.
- Standard inlet: 90° stainless steel ball bearing swivel joint, 1" female NPT threads.
- Standard outlet: 1" female NPT thread.
- Rollers and roller mounting brackets are accessory items. Specify roller position.
- Pressures to 1000 psi (69 bar).
- Standard fluid temperatures from -40° F to +250 °F (-40° C to +121° C). Optional temperature ratings available - consult factory.
- Consult factory for other pressures and temperatures.
- Consult factory for power reels for 1" hose.
- 304 stainless steel construction.



Standard configuration shown

PARTS DRAWING – ISO 177 For Chemical reels, add -CHM to Model Number for Viton seals.

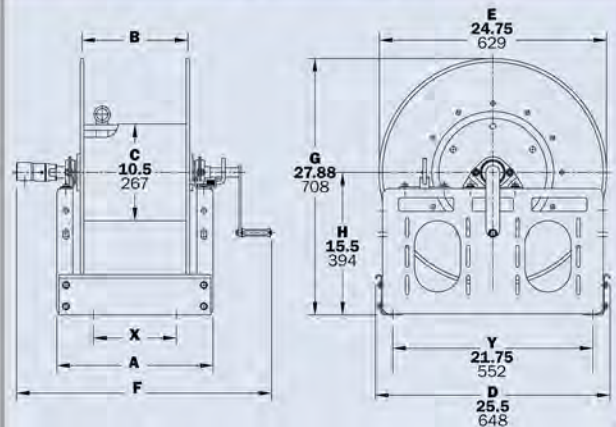
Model Number	Hose Capacity of Reel feet m				Approx. Weight Crank Rewind lb. kg		Reel Dimensions*** in. mm			
	I.D. in. mm	Round Hose		Collapsible Hose	NET	SHIP	A	B	F	X
		3/4 19	1 25	1 25						
O.D. in. mm	1-9/32 33	1-1/2 40	1/2 x 1-3/4 13 x 44							
SS3016-25-26	100	75	200	85	120	13	7.5	24.5	7.75	
	30	23	61	39	54	330	191	622	197	
SS3020-25-26	150	100	300	94	129	17	11.5	28.5	9	
	46	30	91	43	59	432	292	723	229	
SS3024-25-26	200	125	400	103	138	21	15.5	32.5	13	
	61	38	122	47	63	533	394	825	330	
SS3028-25-26	275	175	550	113	163	25.5	20	37	17.5	
	84	53	168	51	74	648	508	939	445	

Notes:

1. Specifications subject to change.
2. Upon request, reels can be supplied with drum lengths other than shown and with disc sizes in other diameters.
3. Power rewind NOT available on these models.
4. Dimension "F" is the overall length of standard model reels. Crank rewind models, 3-1/2" clearance required to remove crank.
5. Subtract 5" from "F" dimension for disc rewind models.
6. Finish: Refer to page 2.
7. **Be sure to check dimensions and weights prior to ordering.**

NOTICE: A flexible connector must be used between the inlet pipe and the inlet swivel joint.

***X, Y indicate mounting holes. See page 2.



Series **SS4000**

- Food Processing • Bottling Plants • Fire Protection
- Water Supply • Chemical Transfer

To handle single 3/4" or 1" I.D. hose.

- Lightweight, compact reels designed for long lengths of hose.
- Manual rewind includes: cam-lock drag brake, spring actuated pin lock and removable direct crank rewind.
- Standard inlet: 90° stainless steel ball bearing swivel joint, 1" female NPT threads.
- Standard outlet: 1" female NPT threads.
- Rollers and roller mounting brackets are accessory items. Specify roller position.
- Pressures to 1000 psi (69 bar).
- Standard fluid temperatures from -40° F to +250 °F (-40° C to +121° C). Optional temperature ratings available - consult factory.
- Consult factory for other pressures and temperatures.
- 304 stainless steel construction.



Standard configuration shown

PARTS DRAWING – ISO 178 For Chemical reels, add -CHM to Model Number for Viton seals.

Model Number	Hose Capacity of Reel feet m			Approx. Weight Crank Rewind lb. kg			Reel Dimensions*** in. mm			
	I.D. in. mm	3/4 19	1 25	NET	UPS/ FedEx SHIP WT.	Freight SHIP WL.	A	B	F	X
SS4018-17-18	50	35	36	80*	71	15	10	26.5	13.5	
	15	11	16	36	32	254	419	673	102	
SS4024-17-18	100	50	46	98*	81	21	16	32.5	19.5	
	30	15	21	45	37	533	406	826	495	
SS4030-17-18	150	75	57	110*	92	27	22	38.5	25.5	
	46	23	26	50	42	686	559	978	648	
SS4038-17-18	200	100	70	-	124	35	30	46.5	33.5	
	61	30	32	-	56	889	762	1181	851	

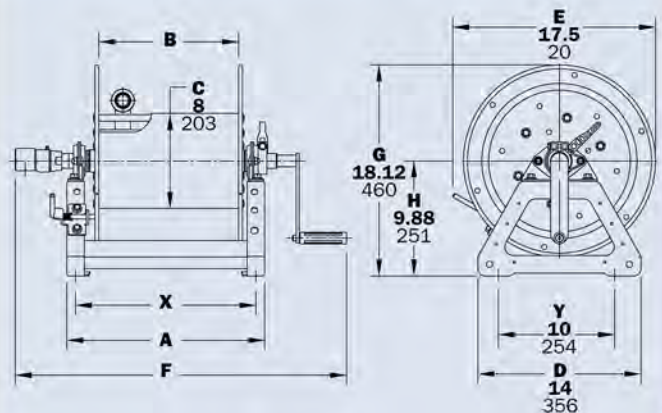
Notes:

1. Specifications subject to change.
2. Upon request, reels can be supplied with drum lengths other than shown.
3. Dimension "F" is the overall length of standard model reels. Crank rewind reels require 3-1/2" clearance to remove or install crank handle.
4. Finish: Refer to page 2.
5. **Be sure to check dimensions and weights prior to ordering.**

NOTICE: A flexible connector must be used between the inlet pipe and the inlet swivel joint.

* Dimensional weight applies when shipped as a parcel package (via FedEx or UPS Ground).

***X, Y indicate mounting holes. See page 2.



Series 4000

- Fuel Dispensing (Consult Factory) • Water Supply
- Fire Protection • Chemical Transfer

To handle single 3/4" or 1" I.D. hose.

- Lightweight, compact reels designed for long lengths of hose in manual and power rewind.
- Manual rewind reels include: cam-lock drag brake, spring actuated pin lock and removable direct crank rewind.
- Power rewind reels include: chain and sprocket drive powered by electric, hydraulic or air. Strap brake is standard.
- Standard inlet: 90° ball bearing swivel joint, 1" female NPT threads.
- Standard outlet: 1" female NPT threads.
- Standard pressures to 2000 psi (138 bar), available up to 4000 psi (276 bar) – must specify.
- Standard fluid temperatures from -15° F to +250 °F (-26° C to +121° C). Optional temperature ratings available - consult factory.
- Rollers and roller mounting brackets are accessory items. Specify roller position.



Standard configuration shown with Electric Rewind (E) option



Optional External Mounting Brackets

Part No. 9906.0027.
Add 2-1/2" to the X dimensions shown in the chart.

For Chemical reels with Viton seals and SS fluid path, add -CHM to Model #.

PARTS DRAWING – ISO 68 (POWER); ISO 125 (MANUAL)

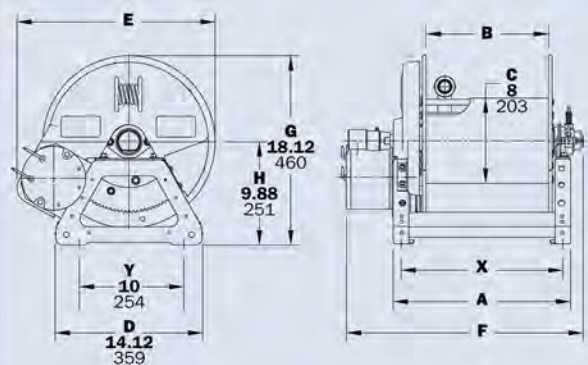
Model Number <small>For power rewind see Note 5</small>	Hose Capacity of Reel feet m			Approx. Weight Crank Rewind lb. kg <small>see Note 3</small>			Reel Dimensions*** In. mm						
	I.D. In. mm	3/4 19	1 25	NET	UPS/ FedEx SHIP Wt.	Freight SHIP Wt.	A	B	E CRANK	E POWER	F CRANK	F POWER	X
	O.D. In. mm	1-9/32 33	1-1/2 38										
4018-17-18	50	35	36	80*	71	15	10	17.5	19	26.5	20.75	13.5	
	15	11	16	36	32	381	254	445	483	673	527	343	
4024-17-18	100	50	46	98*	81	21	16	17.5	19	32.5	26.75	19.5	
	30	15	21	45	37	533	406	445	483	826	679	495	
4030-17-18	150	75	57	110*	92	27	22	17.5	19	38.5	32.75	25.5	
	46	23	26	50	42	686	559	445	483	978	832	648	
4038-17-18	200	100	70	-	124	35	30	17.5	19	46.5	40.75	33.5	
	61	30	32	-	56	889	762	445	483	1181	1035	851	

Notes:

- Specifications subject to change.
- Upon request, reels can be supplied with drum lengths other than shown.
- Weights shown in chart are for crank rewind models. ADD these amounts for power rewind models (does not apply to FedEx or UPS):

	Net lbs/kg	Ship lbs/kg
Electric	18/8.2	18/8.2
Hydraulic	15/6.8	15/6.8
Air	15/6.8	15/6.8
- Dimension "F" is the overall length of standard model reels. Crank rewind reels require 3-1/2" clearance to remove or install crank handle.
- When ordering power rewind models, prefix model number with:
 - A = Air Rewind – Supplied with control valve and 18" air hose.

- E = Electric Rewind – 12v and 24v DC rewind reels are supplied with switch and solenoid; 115v AC rewind reels are not supplied with switch but can be ordered separately.
 - HD = Hydraulic Rewind – Not supplied with control valve.
 - 6. Finish: Refer to page 3.
 - 7. Be sure to check dimensions and weights prior to ordering.
 - 8. Some roller options may prohibit the use of our molded chain guard.
- NOTICE:** A flexible connector must be used between the inlet pipe and the inlet swivel joint.
- * Dimensional weight applies when shipped as a parcel package (via FedEx or UPS Ground).
- *** X, Y indicate mounting holes. See page 5. (Also applies for external mounting brackets.)



Power rewind shown

Series 6000

- Fuel Dispensing (Consult Factory) • Fire Protection
- Spray Operations • Water Blasting* • Sewer Cleaning*

To handle single 1/2" through 1" I.D. hose.

- Heavy-duty reel for longer lengths of hose.
- Choose gear-driven crank rewind or chain and sprocket drive powered by an electric, hydraulic or compressed air motor.
- Crank rewind reels supplied with pinion brake; power rewind reels with a strap brake.
- Standard inlet: 90° ball bearing swivel joint, 1" female NPT threads.
- Standard outlet: 1" female NPT threads.
- Standard: inlet, outlet riser, and hub assembly are steel. Options: swivel joint also available in aluminum or stainless steel. Riser and hub assembly also available in stainless steel.
- Standard pressures to 2000 psi (138 bar), available up to 5000 psi (345 bar) – must specify.
- Standard fluid temperatures from -15° F to +250 °F (-26° C to +121° C). Optional temperature ratings available - consult factory.
- Rollers and roller mounting brackets are accessory items. Specify roller position.
- Consult factory for optional chain guard.

* Heavy-duty construction required for water blasting and sewer cleaning applications. Consult factory.



Standard configuration shown with Electric Rewind (EP) option



Optional Auxiliary Rewind

Ring and pinion shaft rewind unit with removable crank handle.



Optional Assembly
C2 roller top wind and auxiliary rewind shown

Series 6000

- Fuel Dispensing (Consult Factory) • Fire Protection
- Spray Operations • Water Blasting* • Sewer Cleaning*

PARTS DRAWING – ISO 84 For Chemical reels with Viton seals and SS fluid path, add -CHM to Model #.

Model Number For power rewind see Note 5	Hose Capacity of Reel feet m			Approx. Weight Crank Rewind lb. kg See Note 4		Reel Dimensions*** in. mm										
	I.D. in. mm	1/2 12	3/4 19	1 25	NET	SHIP*	A	B	D	E	F CRANK	F POWER	G	H	X	Y
	O.D. in. mm	7/8 22	1-9/32 33	1-1/2 38												
6024-19-21	200	100	60	85	85	127	21	15.5	20.5	18.75	25.38	28.5	21.5	12.12	13	16.75
	61	30	18	39	39	58	533	394	521	476	645	724	546	308	330	425
6032-19-21	325	175	85	102	144	144	29.5	24	20.5	18.75	33.88	37	21.5	12.12	21.5	16.75
	99	53	26	46	65	65	749	610	521	476	861	940	546	308	546	425
6024-23-24	400	150	125	92	134	134	21	15.5	20.5	22.75	25.38	28.5	23.5	12.12	13	16.75
	122	46	38	42	61	61	533	394	521	578	645	724	597	308	330	425
6030-23-24	-	225	200	105	147	147	27.5	22	20.5	22.75	31.88	35	23.5	12.12	19.5	16.75
	-	68	61	48	67	67	699	559	521	578	810	889	597	308	495	425
6038-23-24	-	300	250	120	162	162	35	29.5	20.5	22.75	39.38	42.5	23.5	12.12	27	16.75
	-	91	76	54	73	73	889	749	521	578	1000	1080	597	308	686	425
6016-25-26	250	100	75	88	130	130	13	7.5	25.5	24.75	17.38	20.5	27.88	15.5	7.75	21.75
	76	30	23	40	59	59	330	191	648	629	441	521	708	394	197	552
6022-25-26	450	175	125	100	142	142	19	13.5	25.5	24.75	23.38	26.5	27.88	15.5	11	21.75
	137	84	38	45	64	64	483	343	648	629	594	673	708	394	279	552
6028-25-26	-	275	175	113	155	155	25.5	20	25.5	24.75	29.88	33	27.88	15.5	17.5	21.75
	-	84	53	51	70	70	648	508	648	629	759	838	708	394	445	552
6018-30-31	400	200	150	101	151	151	15	9.5	25.5	28.75	19.38	22.5	29.88	15.5	7	21.75
	122	61	46	46	68	68	381	241	648	730	492	572	759	394	178	552
6024-30-31	-	350	250	113	163	163	21	15.5	25.5	28.75	25.38	28.5	29.88	15.5	13	21.75
	-	107	76	51	74	74	533	394	648	730	645	724	759	394	330	552
6028-30-31	-	-	300	121	171	171	25.5	20	25.5	28.75	29.88	33	29.88	15.5	17.5	21.75
	-	-	91	55	78	78	648	508	648	730	759	838	759	394	445	552
† 6028-33-34	-	-	400	129	179	179	25	20	31.5	31.75	29.75	33.06	33.63	17.75	17.5	27.75
	-	-	122	59	81	81	635	508	800	806	756	840	854	451	445	705

Notes:

- Specifications subject to change.
- Upon request, reels can be supplied with drum lengths other than shown and with disc sizes in other diameters.
- Dimensions shown for reels up to and including 30-31 disc size reflect pressed frames. All others are rollformed channel frames.
- Weights shown in chart are for crank rewind models. ADD these amounts for power rewind models.

	Net lbs/kg	Ship lbs/kg
Electric	40/18.1	40/18.1
Hydraulic	20/9.1	20/9.1
Air	20/9.1	20/9.1

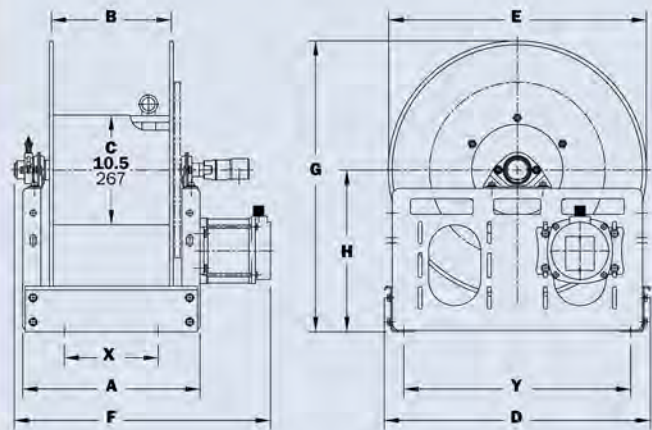
- When ordering power rewind models, prefix model number with:
 - A = Air Rewind – Supplied with control valve and 18" air hose.
 - EP = Electric Rewind (1/2 HP) – 12v and 24v DC rewind reels are supplied with switch and solenoid; 115v AC rewind reels are not supplied with switch but can be ordered separately.
 - HD = Hydraulic Rewind – Not supplied with control valve.

- Finish: Refer to page 3.
- Be sure to check dimensions and weights prior to ordering.

NOTICE: A flexible connector must be used between the inlet pipe and the inlet swivel joint.

*** X, Y indicate mounting holes. See page 5.

† Some applications require a clutch/reduction unit.



Power rewind shown

Series 7500

- Fuel Dispensing (Consult Factory) • Bulk Transfer
- Suction/Discharge (Consult Factory)

To handle single 1-1/4" or 1-1/2" I.D. hose.

- Choose gear-driven crank rewind or chain and sprocket drive powered by an electric, hydraulic or compressed air motor.
- Crank rewind reels supplied with pinion brake and power rewind reels with a strap brake.
- Standard inlet: 90° ball bearing swivel joint, 1-1/2" female NPT threads, and 2" Victaulic® groove.
- Standard outlet: 1-1/2" female NPT threads.
- Standard: inlet, outlet riser, and hub assembly are steel. Options: also available in aluminum or stainless steel.
- Standard pressures to 1000 psi (41 bar), consult factory for other pressure ratings – must specify.
- Standard fluid temperatures from -20° F to +212 °F (-29° C to +100° C). Optional temperature ratings available - consult factory.
- Rollers and roller mounting brackets are accessory items. Specify roller position.
- Consult factory for optional chain guard.



Standard configuration shown with Electric Rewind (EP) option



Optional Auxiliary Rewind

Ring and pinion shaft rewind unit with removable crank handle.

PARTS DRAWING – ISO 18

For Chemical reels with Viton seals and SS fluid path, add -CHM to Model #.

Model Number <small>For power rewind see Note 5</small>	Hose Capacity of Reel feet m			Approx. Weight Crank Rewind lb. kg <small>see Note 4</small>		Reel Dimensions*** In. mm									
	I.D. in. mm	1-1/4 32	1-1/2 38	NET	SHIP	A	B	D	E	F CRANK	F POWER	G	H	X	Y
	O.D. in. mm	1-13/16 46	2-1/16 52			25.5	20	20.5	18.75	32	33	21.5	12.12	17.5	16.75
7528-19-21	70	50	104	146	25.5	20	20.5	18.75	32	33	21.5	12.12	17.5	16.75	
	21	15	47	66	648	508	521	476	813	838	546	308	445	425	
7538-23-24	175	100	130	172	35	29.5	20.5	22.75	41.5	42.5	23.5	12.12	27	16.75	
	53	30	59	78	889	749	521	578	1054	1080	597	308	686	425	
7520-25-26	75	50	106	148	17	11.5	25.5	24.75	23.5	24.5	27.88	15.5	9	21.75	
	23	15	48	67	432	292	648	629	597	622	708	394	229	552	
7528-25-26	125	100	123	165	25.5	20	25.5	24.75	32	33	27.88	15.5	17.5	21.75	
	38	30	56	75	648	508	648	629	813	838	708	394	445	552	
7522-30-31	125	100	118	168	19	13.5	25.5	28.75	25.5	26.5	29.88	15.5	11	21.75	
	38	30	54	76	483	343	648	730	648	673	759	394	279	552	
† 7528-30-31	200	150	131	181	25.5	20	25.5	28.75	32	33	29.88	15.5	17.5	21.75	
	61	46	59	82	648	508	648	730	813	838	759	394	445	552	
† 7526-33-34	200	175	133	183	22.5	17.5	31.5	31.75	29.25	30.25	33.62	17.75	15	27.75	
	61	53	60	83	572	445	800	806	743	768	854	451	381	705	

Notes:

- Specifications subject to change.
- Upon request, reels can be supplied with drum lengths other than shown and with disc sizes in other diameters.
- Dimensions shown for reels up to and including 30-31 disc size reflect pressed frames. All others are rollformed channel frames.
- Weights shown in chart are for crank rewind models. ADD these amounts for power rewind models.

	Net lbs /kg	Ship lbs/kg
Electric	40/18.1	40/18.1
Hydraulic	20/9.1	20/9.1
Air	20/9.1	20/9.1

5. When ordering, prefix model number with:

- A** = Air Rewind – Supplied with control valve and 18" air hose.
- EP** = Electric Rewind (1/2 HP) – 12v and 24v DC rewind reels are supplied with switch and solenoid; 115v AC rewind reels are not supplied with switch but can be ordered separately.
- HD** = Hydraulic Rewind – Not supplied with control valve.

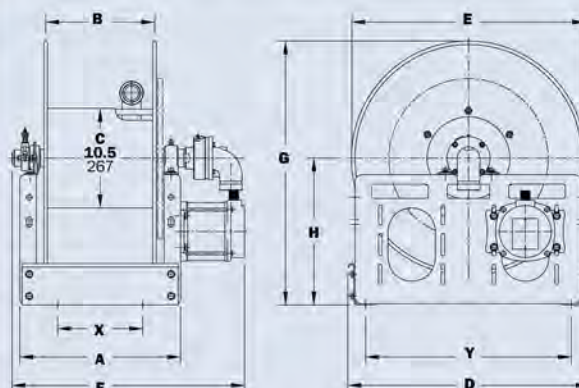
6. **Finish:** Refer to page 3.

7. **Be sure to check dimensions and weights prior to ordering.**

NOTICE: A flexible connector must be used between the inlet pipe and the inlet swivel joint.

*** X, Y indicate mounting holes. See page 5.

†Some applications require a clutch/reduction unit.



Power rewind shown

Series 8000

- Bulk Transfer • Fueling Applications (Consult Factory)
- Chemical Transfer • General Dispensing • Suction/Discharge (Consult Factory)

To handle single 1-1/2" or 2" I.D. hose.

- Heavy-duty reel designed for longer lengths and larger diameters of hose through 2" I.D.
- Choose gear-driven crank rewind or chain and sprocket drive powered by an electric, hydraulic or compressed air motor.
- Crank rewind reels supplied with a pinion brake; power rewind reels with a strap brake.
- Standard inlet: 90° ball bearing swivel joint, 2" female NPT threads.
- Standard outlet: 2" female NPT threads.
- Standard: inlet, outlet riser, and hub assembly are steel. Options: also available in aluminum or stainless steel.
- Pressures to 600 psi (41 bar). Standard fluid temperatures from -20° F to +212 °F (-29° C to +100° C). Consult factory for other pressures and temperatures.
- Rollers and roller mounting brackets are accessory items. Specify roller position.
- Consult factory for optional chain guard.



Standard configuration shown with Electric Rewind (EP) option



Chain Clutch-Reduction Units

For use on power reels with disc diameter 33" or larger and/or when increased torque and slower rewind speeds are required. Factory installed when specified or available as an accessory item.

PARTS DRAWING - ISO 26

For Chemical reels with Viton seals and SS fluid path, add -CHM to Model #.

Model Number <small>For power rewind see Note 4</small>	Hose Capacity of Reel feet m			Approx. Weight Crank Rewind lb. kg <small>see Note 3</small>		Reel Dimensions*** In. mm									
	I.D. in. mm	1-1/2 38	2 51	NET	SHIP	A	B	D	E	F		G	H	X	Y
	O.D. in. mm	2-1/16 52	2-9/16 65							CRANK	POWER				
8234-26-27	80 24	60 18	120 54	170 77	26.25 667	20 508	27 686	25.75 654	33.75 857	34.75 883	26.62 676	13.75 349	18.75 476	23.25 591	
8238-26-27	100 30	75 23	145 66	195 88	30.25 768	24 610	27 686	25.75 654	37.75 959	38.75 984	26.62 676	13.75 349	22.75 578	23.25 591	
8246-26-27	145 44	100 30	196 89	245 112	38.25 972	32 813	27 686	25.75 654	45.75 1162	46.75 1188	26.62 676	13.75 349	30.75 781	23.25 591	
8226-33-34	85 26	60 18	80 36	150 68	17.75 451	11.5 292	31.5 800	31.75 806	25.25 641	26.25 667	33.38 848	17.75 445	10.25 260	27.75 705	
8234-33-34	150 46	115 35	133 60	230 105	26.25 667	20 508	31.5 800	31.75 806	33.75 857	34.75 883	33.38 848	17.75 445	18.75 476	27.75 705	
8238-39-40	340 104	225 69	218 99	420 191	30.25 768	24 610	40 1016	39 991	37.75 959	38.75 984	39.88 1013	20.38 518	22.75 578	37 940	

Notes:

- Specifications subject to change.
- Upon request, reels can be supplied with drum lengths other than shown and with disc sizes in other diameters.
- Weights shown in chart are for crank rewind models. ADD these amounts for power rewind models.

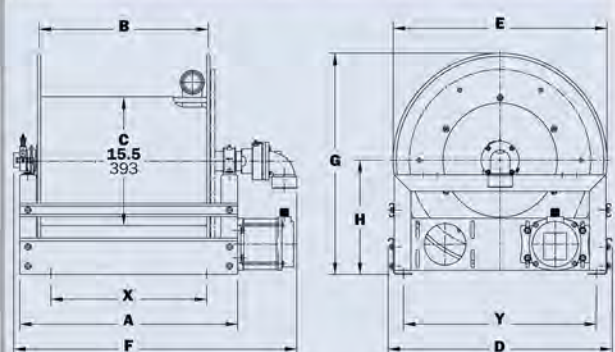
	Net lbs/kg	Ship lbs/kg
Electric	40/18.1	40/18.1
Hydraulic	20/9.1	20/9.1
Air	20/9.1	20/9.1

- When ordering power rewind models, prefix model number with:
A = Air Rewind - Supplied with control valve and 25" air hose.
EP = Electric Rewind (1/2 HP) - 12v and 24v DC rewind reels are supplied with switch and solenoid; 115v AC rewind reels are not supplied with switch but can be ordered separately.
HD = Hydraulic Rewind - Not supplied with control valve.

- Finish:** Refer to page 3.
- Be sure to check dimensions and weights prior to ordering.**

NOTICE: A flexible connector must be used between the inlet pipe and the inlet swivel joint.

*** X, Y indicate mounting holes. See page 5.



Power rewind shown

Series 9000

- Fueling Applications (Consult Factory) • Bulk Transfer
- Suction/Discharge (Consult Factory) • High Volume Application • Chemical Transfer

To handle 2-1/2" or 3" I.D. hose.

- Heavy-duty reel designed for longer lengths and larger diameters of hose through 3" I.D.
- Choose gear-driven crank rewind or chain and sprocket drive powered by an electric, hydraulic or compressed air motor.
- Crank rewind reels supplied with a pinion brake; power rewind reels with a strap brake.
- Standard inlet: 90° ball bearing swivel joint, 3" female NPT threads.
- Standard outlet: 3" female NPT threads.
- Standard: outlet riser, and hub assembly are aluminum with ductile inlet.
Options: swivel joint also available in aluminum or stainless steel. Riser and hub assembly also available in stainless steel.
- Pressures to 300 psi (21 bar). Standard fluid temperatures from -20° F to +212 °F (-29° C to +100° C). Consult factory for other pressures and temperatures.
- Rollers and roller mounting brackets are accessory items. Specify roller position.
- Consult factory for optional chain guard.



Standard configuration shown with Electric Rewind (EP) option



Chain Clutch-Reduction Units

For use on power reels with disc diameter 33" or larger and/or when increased torque and slower rewind speeds are required. Factory installed when specified or available as an accessory item.

PARTS DRAWING – ISO 57

For Chemical reels with Viton seals and SS fluid path, add -CHM to Model #.

Model Number <small>For power rewind see Note 4</small>	Hose Capacity of Reel feet m			Approx. Weight Crank Rewind lb. kg <small>see Note 3</small>		Reel Dimensions*** in. mm																		
	I.D. in. mm	2-1/2" 64	3" 76	NET	SHIP	A	D	D	E	F CRANK	F POWER	G	H	X	Y									
	O.D. in. mm	3-3/16 81	3-3/4 95																					
9332-33-34	30	25	147	217	23.75	17.5	31.5	31.75	33.75	33.25	33.88	18	16.25	27.75	603	445	800	80	857	845	861	457	413	705
9338-33-34	45	35	187	257	30.25	24	31.5	31.75	40.25	39.75	33.88	18	22.75	27.75	768	610	800	807	1022	1010	861	457	578	705
9346-33-34	60	50	237	372	38.25	32	31.5	31.75	48.25	47.75	33.88	18	30.75	27.75	972	813	800	807	1226	1213	861	457	781	705
9338-39-40	90	80	239	480	30.25	24	40	39	40.25	39.75	40.38	20.88	22.75	37	768	610	1016	991	1022	1010	1026	530	578	940
9334-45-46	130	115	361	525	26.25	20	46	45	36.25	35.75	46.38	23.88	18.75	43	667	508	1168	1143	921	908	1178	607	476	1092

Notes:

- Specifications subject to change.
- Upon request, reels can be supplied with drum lengths other than shown and with disc sizes in other diameters.
- Weights shown in chart are for crank rewind models. ADD these amounts for power rewind models.

	Net lbs/kg	Ship lbs/kg
Electric	40/18.1	40/18.1
Hydraulic	20/9.1	20/9.1
Air	20/9.1	20/9.1

- When ordering power rewind models, prefix model number with:
A = Air Rewind – Supplied with control valve and 25" air hose.
EP = Electric Rewind (1/2 HP) – 12v and 24v DC rewind reels are supplied with switch and solenoid; 115v AC rewind reels are not supplied with switch but can be ordered separately.

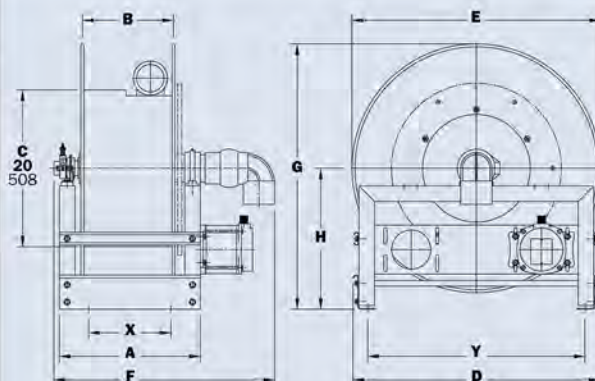
HD = Hydraulic Rewind – Not supplied with control valve.

- Finish:** Refer to page 3.

- Be sure to check dimensions and weights prior to ordering.**

NOTICE: A flexible connector must be used between the inlet pipe and the inlet swivel joint.

*** X, Y indicate mounting holes. See page 5.



Power rewind shown