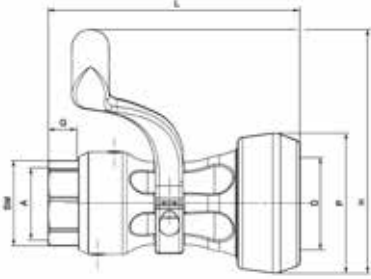


HDC-CPL 1" Stainless Steel 316L

Dry-Release Coupler
PART ID: 8CPLSV01

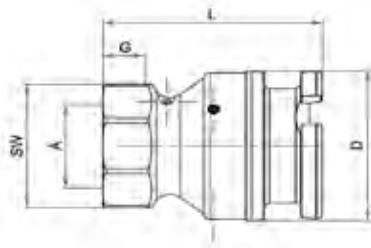


Material: Stainless Steel 316L

NPS Size	D Socket	A Connection	G Thread Length	L Length	P (without handle) Protection Ring	H (with Handle)	Weight kg/lbs	Pressure
1"	56 mm	BSP ISO 228-G 1	11 mm/0.43"	135.5 mm/5.33"	81 mm	141 mm	1.78 Kg/3.92lbs	25bar/362psi
1"	56 mm	NPT ANSI B2.1	22 mm/0.87"	135.5 mm/5.33"	81 mm	141 mm	1.75 Kg/3.85lbs	25bar/362psi

HDC-ADP 1" Stainless Steel 316L

Dry-Release Adapter
PART ID: 8ADPSV01



Material: Stainless Steel 316L

NPS Size	D Socket	A Connection	G Thread Length	L Length	Weight kg/lbs	Pressure
1"	56 mm	BSP ISO 228-G 1	11 mm/0.43"	68.5 mm/2.69"	0.52 Kg/1.15 lbs	25bar/362psi
1"	56 mm	NPT ANSI B2.1	22 mm/0.87"	77.5 mm/3.05"	0.59 Kg/1.30 lbs	25bar/362psi

Viton® is a registered trademark of DuPont Performance.
All data presented based on ambient temperature.

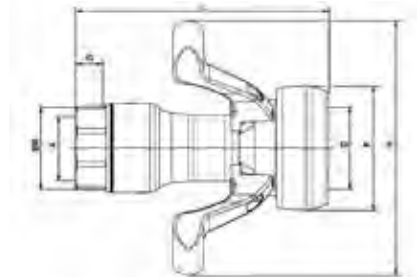
HDC® couplers and adapters equipped standard with Viton® seals. Other elastomers available upon request.

HDC-CPL 1½" - 2" Stainless Steel 316L

Dry-Release Coupler

PART ID: 8CPLSV01.5

PART ID: 8CPLSV02



Material: Stainless Steel 316L

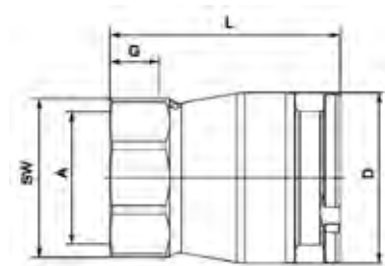
NPS Size	D Socket	A Connection	G Thread Length	L Length	P Protection Ring	H (with Handles)	Weight kg/lbs	Pressure
1½"	70 mm	NPT ANSI B2.1	18.4mm/0.72"	168 mm/6.61"	98 mm	200mm	2.4 Kg/5.31lbs	25bar/362psi
2"	70 mm	BSP ISO 228-G 2	20.0 mm/0.78"	164 mm/6.45"	98 mm	200mm	2.4 Kg/5.31lbs	25bar/362psi
2"	70 mm	NPT ANSI B2.1	21.5 mm/0.84"	168 mm/6.61"	98 mm	200mm	2.4 Kg/5.31lbs	25bar/362psi

HDC-ADP 1½" - 2" Stainless Steel 316L

Dry-Release Adapter

PART ID: 8ADPSV01.5

PART ID: 8ADPSV02



Material: Stainless Steel 316L

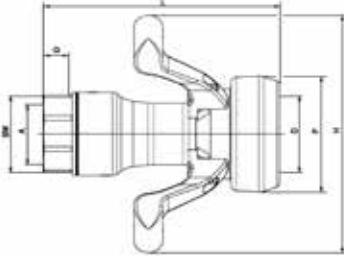
NPS Size	D Socket	A Connection	G Thread Length	L Length	Weight kg/lbs	Pressure
1½"	70 mm	NPT ANSI B2.1	18.4mm/0.72"	94.0 mm/3.7"	0.87 Kg/1.91lbs	25bar/362psi
2"	70 mm	BSP ISO 228-G 2	20.0 mm/0.78"	92.5 mm/3.64"	0.86 Kg/1.89lbs	25bar/362psi
2"	70 mm	NPT ANSI B2.1	21.5 mm/0.84"	94.0 mm/3.7"	0.87 Kg/1.91lbs	25bar/362psi

HDC-CPL 1½" - 2" Aluminum

Dry-Release Coupler

PART ID: 8CPLAV01.5

PART ID: 8CPLAV02



Material: Aluminum

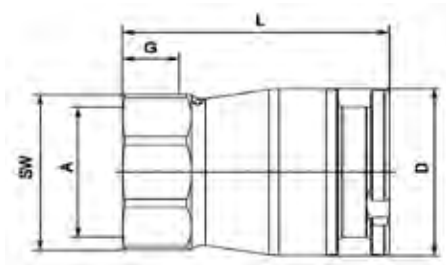
NPS Size	D Socket	A Connection	G Thread Length	L Length	P Protection Ring	H (with Handles)	Weight kg/lbs	Pressure*
1½"	70 mm	NPT ANSI B2.1	18.4mm/0.72"	168 mm/6.61"	98 mm	200mm	1.2 Kg/2.64lbs	16-25bar/232-362psi
2"	70 mm	BSP ISO 228-G 2	20 mm/0.78"	164 mm/6.45"	98 mm	200mm	1.2 Kg/2.64lbs	16-25bar/232-362psi
2"	70 mm	NPT ANSI B2.1	21.5 mm/0.84"	168 mm/6.61"	98 mm	200mm	1.2 Kg/2.64lbs	16-25bar/232-362psi

HDC-ADP 1½" - 2" Aluminum

Dry-Release Adapter

PART ID: 8ADPAV01.5

PART ID: 8ADPAV02



Material: Aluminum

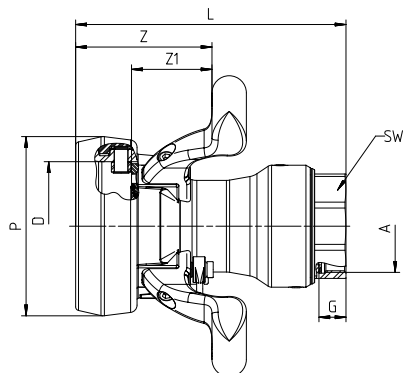
NPS Size	D Socket	A Connection	G Thread Length	L Length	Weight kg/lbs	Pressure*
1½"	70 mm	NPT ANSI B2.1	18.4mm/0.72"	94 mm/3.7"	0.46 Kg/1.01lbs	16-25bar/232-362psi
2"	70 mm	BSP ISO 228-G 2	20.0 mm/0.78"	92.5 mm/3.64"	0.45 Kg/0.99lbs	16-25bar/232-362psi
2"	70 mm	NPT ANSI B2.1	21.5 mm/0.84"	94 mm/3.7"	0.46 Kg/1.01lbs	16-25bar/232-362psi

*High pressure model 25bar/362psi W/P available

HDC® couplers and adapters equipped standard with Viton® seals. Other elastomers available upon request.

HDC-CPL 2.5" Stainless Steel 316L

Dry-Release Coupler
PART ID: 8CPLSV02.5

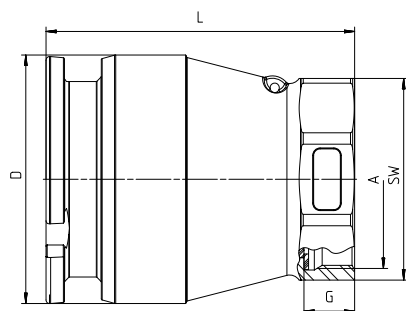


Material: Stainless Steel 316L

NPS Size	D Socket	A Connection	G Thread Length	L Length	P Protection Ring	H (with Handles)	Weight kg/lbs	Pressure
2.5"	105 mm	BSP ISO 228-G 2.5	22 mm/0.86"	220 mm/8.66"	146 mm	245 mm	7.1 Kg/15.65 lbs	25bar/362psi
2.5"	105 mm	NPT ANSI B2.1	31 mm/1.22"	225 mm/8.85"	146 mm	245 mm	7.3 Kg/16.09 lbs	25bar/362psi

HDC-ADP 2.5" Stainless Steel 316L

Dry-Release Adapter
PART ID: 8ADPSV02.5



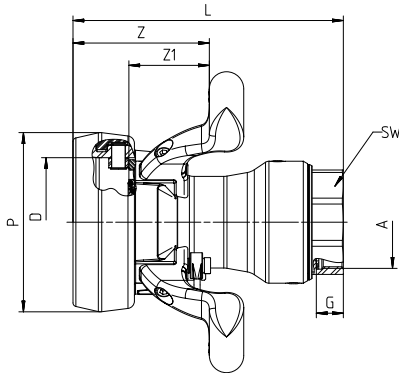
Material: Stainless Steel 316L

NPS Size	D Socket	A Connection	G Thread Length	L Length	Weight kg/lbs	Pressure
2.5"	105 mm	BSP ISO 228-G 2.5	22 mm/0.86"	134 mm/5.27"	2.7 Kg/5.95 lbs	25bar/362psi
2.5"	105 mm	NPT ANSI B2.1	31 mm/1.22"	144 mm/5.66"	3.0 Kg/6.61 lbs	25bar/362psi

HDC-CPL 2.5" Aluminum

Dry-Release Coupler

PART ID: 8CPLAV02.5



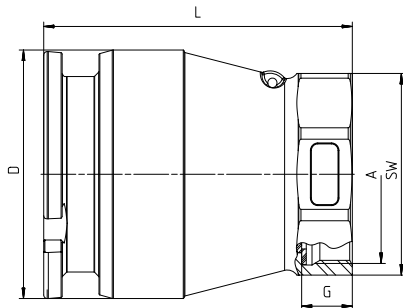
Material: Aluminum

NPS Size	D Socket	A Connection	G Thread Length	L Length	P Protection Ring	H (with Handles)	Weight kg/lbs	Pressure*
2.5"	105 mm	BSP ISO 228-G 2.5	22 mm/0.94"	220 mm/8.66"	146 mm	245 mm	3.4 Kg/7.49 lbs	16bar/232psi
2.5"	105 mm	NPT ANSI B2.1	31 mm/1.33"	225 mm/8.85"	146 mm	245 mm	3.5 Kg/7.71 lbs	16bar/232psi

HDC-ADP 2.5" Aluminum

Dry-Release Adapter

PART ID: 8ADPAV02.5

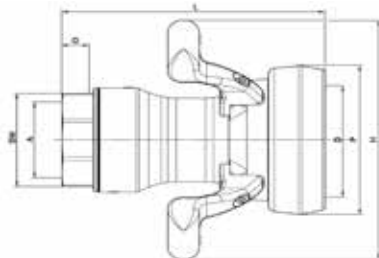


Material: Aluminum

NPS Size	D Socket	A Connection	G Thread Length	L Length	Weight kg/lbs	Pressure*
2.5"	105 mm	BSP ISO 228-G 2.5	22 mm/0.86"	134 mm/5.27"	1.0 Kg/2.2 lbs	16bar/232psi
2.5"	105 mm	NPT ANSI B2.1	31 mm/1.22"	144 mm/5.66"	1.0 Kg/2.2 lbs	16bar/232psi

HDC-CPL 3" Stainless Steel 316L

Dry-Release Coupler
PART ID: 8CPLSV03

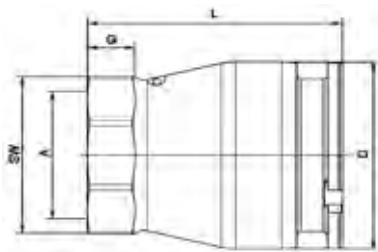


Material: Stainless Steel 316L

NPS Size	D Socket	A Connection	G Thread Length	L Length	P Protection Ring	H (with Handles)	Weight kg/lbs	Pressure
3"	119 mm	BSP ISO 228-G 3	24 mm/0.94"	232.5 mm/9.15"	160 mm	258mm	8.7 Kg/19.18 lbs	25bar/362psi
3"	119 mm	NPT ANSI B2.1	34 mm/1.33"	242.0 mm/9.53"	160 mm	258mm	9.0 Kg/19.84lbs	25bar/362psi

HDC-ADP 3" Stainless Steel 316L

Dry-Release Adapter
PART ID: 8ADPSV03



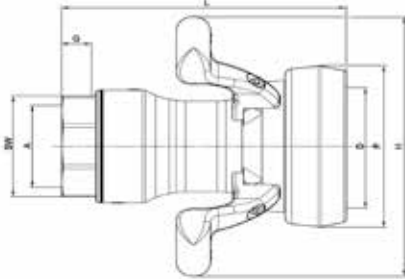
Material: Stainless Steel 316L

NPS Size	D Socket	A Connection	G Thread Length	L Length	Weight kg/lbs	Pressure
3"	119 mm	BSP ISO 228-G 3	24 mm/0.94"	134 mm/5.27"	3.4 Kg/7.49lbs	25bar/362psi
3"	119 mm	NPT ANSI B2.1	34 mm/1.33"	144 mm/5.66"	3.7 Kg/8.15lbs	25bar/362psi

HDC-CPL 3" Aluminum

Dry-Release Coupler

PART ID: 8CPLAV03



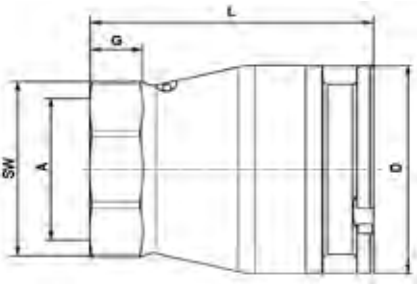
Material: Aluminum

NPS Size	D Socket	A Connection	G Thread Length	L Length	P Protection Ring	H (with Handles)	Weight kg/lbs	Pressure*
3"	119 mm	BSP ISO 228-G 3	24 mm/0.94"	232.5 mm/9.15"	160 mm	258mm	4.1 Kg/9.03lbs	16-25bar/232-362psi
3"	119 mm	NPT ANSI B2.1	34 mm/1.33"	242.0 mm/9.52"	160 mm	258mm	4.2 Kg/9.23lbs	16-25bar/232-362psi

HDC-ADP 3" Aluminum

Dry-Release Adapter

PART ID: 8ADPAV03



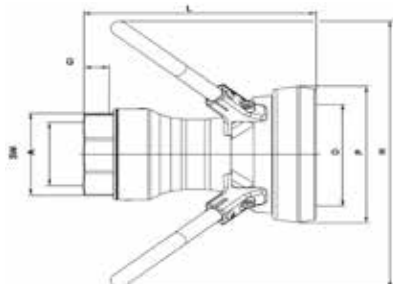
Material: Aluminum

NPS Size	D Socket	A Connection	G Thread Length	L Length	Weight kg/lbs	Pressure*
3"	119 mm	BSP ISO 228-G 3	24 mm/0.94"	134 mm/5.27"	1.8 Kg/3.96lbs	16-25bar/232-362psi
3"	119 mm	NPT ANSI B2.1	34 mm/1.33"	144 mm/5.66"	1.9 Kg/4.18lbs	16-25bar/232-362psi

*High pressure model 25bar/362psi WP available

HDC-CPL 4" Stainless Steel 316L

Dry-Release Coupler
PART ID: 8CPLSV04

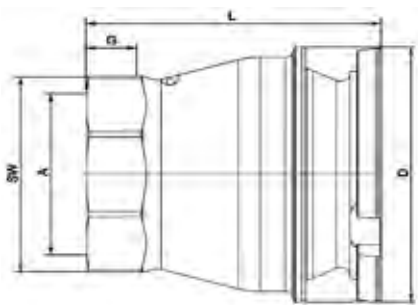


Material: Stainless Steel 316L

NPS Size	D Socket	A Connection	G Thread Length	L Length	P Protection Ring	H (with Handles)	Weight kg/lbs	Pressure
4"	164 mm	BSP ISO 228-G 4	24 mm/0.94"	295 mm/11.61"	210 mm	348mm	18.3 Kg/40.34 lbs	25bar/362psi
4"	164 mm	NPT ANSI B2.1	35 mm/1.38"	295 mm/11.61"	210 mm	348mm	18.1 Kg/39.90 lbs	25bar/362psi

HDC-ADP 4" Stainless Steel 316L

Dry-Release Adapter
PART ID: 8ADPSV04

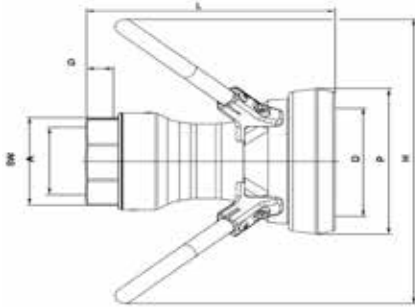


Material: Stainless Steel 316L

NPS Size	D Socket	A Connection	G Thread Length	L Length	Weight kg/lbs	Pressure
4"	164 mm	BSP ISO 228-G 4	24 mm/0.94"	156 mm/6.14"	6.9 Kg/15.21lbs	25bar/362psi
4"	164 mm	NPT ANSI B2.1	35 mm/1.38"	166 mm/6.53"	7.2 Kg/15.87lbs	25bar/362psi

HDC-CPL 4" Aluminum

Dry-Release Coupler
PART ID: 8CPLAV04



Material: Aluminum



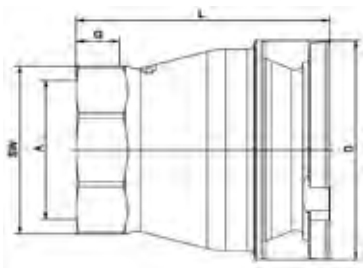
New extended interlock design

Special version with stainless steel internal components. Enhanced external protection for especially arduous environments.

NPS Size	D Socket	A Connection	G Thread Length	L Length	P Protection Ring	H (with Handles)	Weight kg/lbs	Pressure*
4"	164 mm	BSP ISO 228-G 4	24 mm/0.94"	295 mm/11.61"	210 mm	410mm	8.1 Kg/17.85lbs	16-25bar/232-362psi
4"	164 mm	NPT ANSI B2.1	35 mm/1.38"	295 mm/11.61"	210 mm	410mm	8.0 Kg/17.63lbs	16-25bar/232-362psi

HDC-ADP 4" Aluminum

Dry-Release Adapter
PART ID: 8ADPAV04



Material: Aluminum



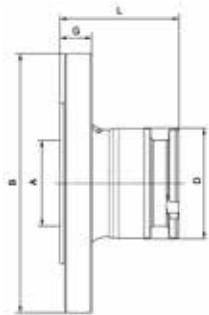
Special version with stainless steel internal components. Enhanced external protection for especially arduous environments.

NPS Size	D Socket	A Connection	G Thread Length	L Length	Weight kg/lbs	Pressure*
4"	164 mm	BSP ISO 228-G 4	24 mm/0.94"	156 mm/6.14"	3.4 Kg/7.49lbs	16-25bar/232-362psi
4"	164 mm	NPT ANSI B2.1	35 mm/1.38"	166 mm/6.53"	3.6 Kg/7.93lbs	16-25bar/232-362psi

*High pressure model 25bar/362psi WP available

HDC-ADF 2" Stainless Steel 316L

Dry-Release Flanged Adapter
PART ID: 8ADFSV02

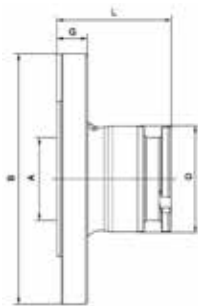


Material: Stainless Steel 316L

NPS Size	D Socket	A Connection	B Flange Diameter	G Flange Width	L Length	Weight kg/lbs	Pressure
2"	70 mm	ANSI B 16.5 2" Class 150	152.4 mm/6"	19.1 mm/0.75"	75 mm/2.95"	2.8 Kg/6.17lbs	25bar/363psi

HDC-ADF 2" Aluminum

Dry-Release Flanged Adapter
PART ID: 8ADFAV02



Material: Aluminum

NPS Size	D Socket	A Connection	B Flange Diameter	G Flange Width	L Length	Weight kg/lbs	Pressure
2"	70 mm	ANSI B 16.5 2" Class 150	152.4 mm/6"	19.1 mm/0.75"	75 mm/2.95"	1.1 Kg/2.42lbs	16bar/232psi

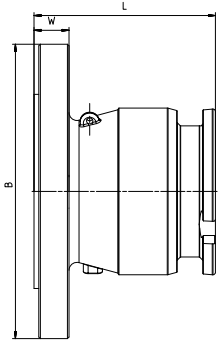
Other flange configurations available.

HDC® couplers and adapters equipped standard with Viton® seals. Other elastomers available upon request.

HDC-ADF 2.5" Stainless Steel 316L

Dry-Release Flanged Adapter

PART ID: 8ADFSV02.5



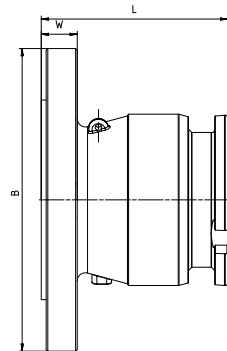
Material: Stainless Steel 316L

NPS Size	D Socket	A Connection	B Flange Diameter	G Flange Width	L Length	Weight kg/lbs	Pressure
2.5"	105 mm	ANSI B 16.5 2" Class 150	177.8 mm/7.5"	22.4mm/0.88"	144 mm/5.66"	5.5 Kg/12.12 lbs	16bar/232psi

HDC-ADF 2.5" Aluminum

Dry-Release Flanged Adapter

PART ID: 8ADFV02.5



Material: Aluminum

NPS Size	D Socket	A Connection	B Flange Diameter	G Flange Width	L Length	Weight kg/lbs	Pressure
2.5"	105 mm	ANSI B 16.5 2" Class 150	185 mm/7.28"	18 mm/0.70"	144 mm/5.66"	1.7 Kg/3.75 lbs	16bar/232psi

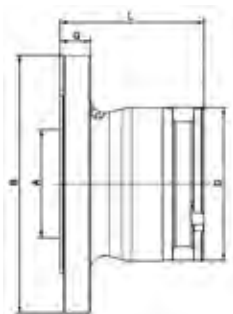
The information provided within is for informational purposes only. We have made every effort to ensure the accuracy of the provided information and assume no responsibility for any loss or damage due to errors or omissions or to the use or misuse of any information supplied. It is impossible to test all products under all conditions to which they might be subjected in the field. It is therefore the buyer and/or end users' responsibility to test all products under the conditions that duplicate the service conditions prior to installation. All improvements, all specifications are subject to change without prior notice. It is the buyer and/or end users' responsibility to review our complete **Terms and Conditions of Sale** located on our web sites at: www.novaflex.com | www.z-flex.com | www.flexmaster.com.

HDC® couplers and adapters equipped standard with Viton® seals. Other elastomers available upon request.

HDC-ADF 3" Stainless Steel 316L

Dry-Release Flanged Adapter

PART ID: 8ADFSV03



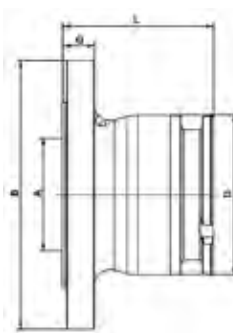
Material: Stainless Steel 316L

NPS Size	D Socket	A Connection	B Flange Diameter	G Flange Width	L Length	Weight kg/lbs	Pressure
3"	119 mm	ANSI B 16.5 2" Class 150	190.5 mm/7.5"	23.9 mm/0.94"	112 mm/4.4"	6.7 Kg/14.77lbs	25bar/363psi

HDC-ADF 3" Aluminum

Dry-Release Flanged Adapter

PART ID: 8ADFAV03



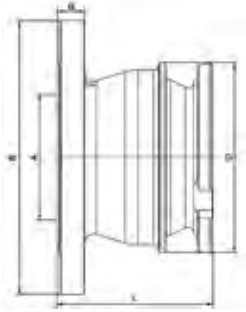
Material: Aluminum

NPS Size	D Socket	A Connection	B Flange Diameter	G Flange Width	L Length	Weight kg/lbs	Pressure
3"	119 mm	ANSI B 16.5 2" Class 150	190.5 mm/7.5"	23.9 mm/0.94"	112 mm/4.4"	2.9 Kg	16bar/232psi

HDC-ADF 4" Stainless Steel 316L

Dry-Release Flanged Adapter

PART ID: 8ADFSV04



Material: Stainless Steel 316L

NPS Size	D Socket	A Connection	B Flange Diameter	G Flange Width	L Length	Weight kg/lbs	Pressure
4"	164 mm	ANSI B 16.5 2" Class 150	228.6 mm/9"	23.9 mm/0.94"	134 mm/5.27"	11.2 Kg/24.69lbs	25bar/363psi

HDC-ADF 4" Aluminum

Dry-Release Flanged Adapter

PART ID: 8ADFAV04



Material: Aluminum

NPS Size	D Socket	A Connection	B Flange Diameter	G Flange Width	L Length	Weight kg/lbs	Pressure
4"	164 mm	ANSI B 16.5 2" Class 150	254 mm/10"	23.9 mm/0.94"	134 mm/5.27"	4.9 Kg/10.80lbs	16bar/232psi